



WENZHENZHOU FEIHUA PRINTING MACHINERY CO.,LTD

TEL:0086 13738307138

Email: [info@newstar-machine.com](mailto:info@newstar-machine.com)

---

FH-1080

Automatic hot and cold laminating machine

机器结构特点

**FH-1080** 全自动立式多用途覆膜机

GWFM-1080M Fully Automatic Vertical Multi-purpose Laminator



WENZHENZHOU FEIHUA PRINTING MACHINERY CO.,LTD

TEL:0086 13738307138

Email: [info@newstar-machine.com](mailto:info@newstar-machine.com)





WENZHENZHOU FEIHUA PRINTING MACHINERY CO.,LTD

TEL:0086 13738307138

Email: [info@newstar-machine.com](mailto:info@newstar-machine.com)





WENZHENZHOU FEIHUA PRINTING MACHINERY CO.,LTD

TEL:0086 13738307138

Email: [info@newstar-machine.com](mailto:info@newstar-machine.com)

---

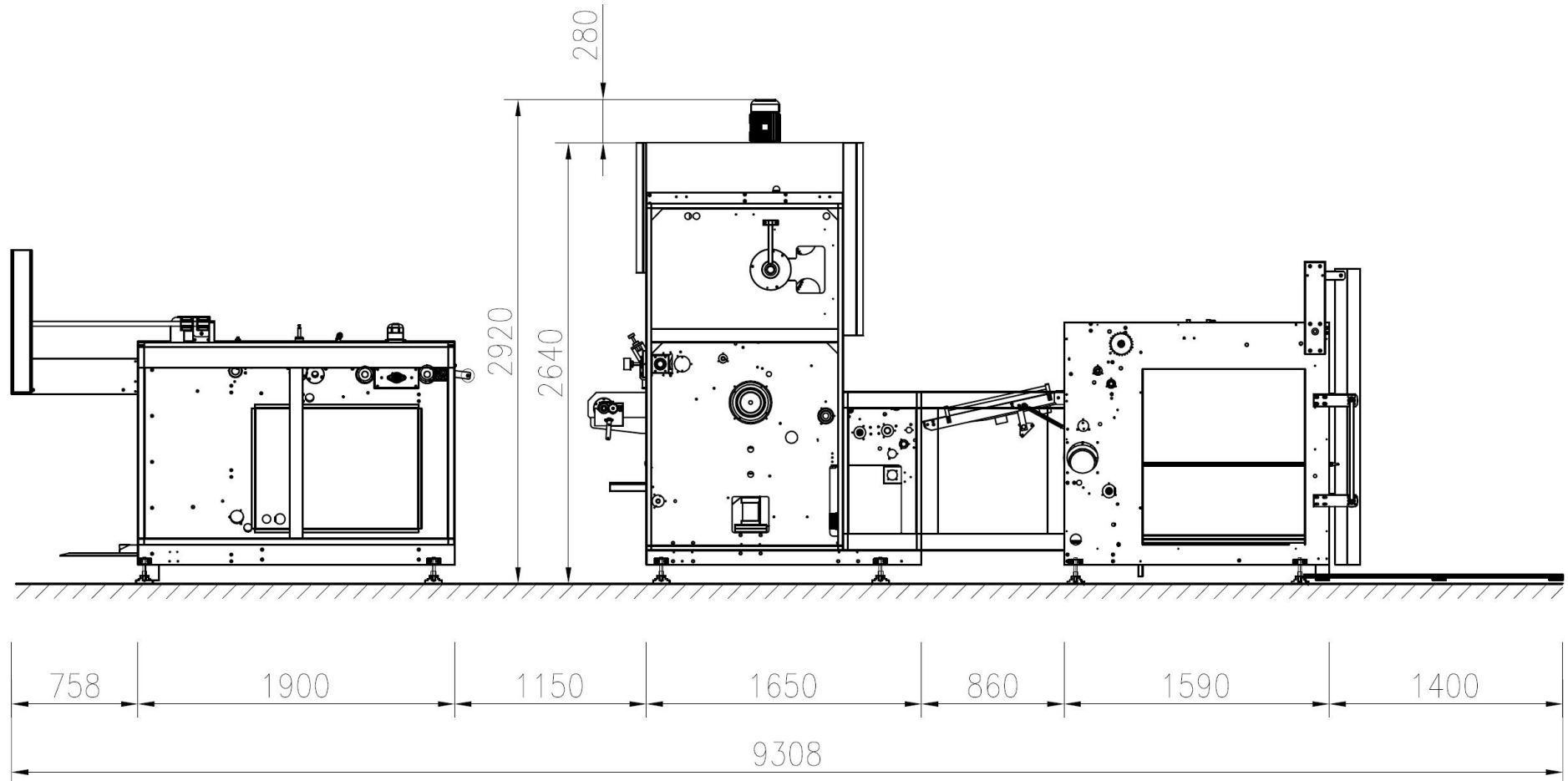
FH-1080 全自动立式多用途覆膜机简图:



WENZHENZHOU FEIHUA PRINTING MACHINERY CO.,LTD

TEL:0086 13738307138

Email: info@newstar-machine.com





WENZHENZHOU FEIHUA PRINTING MACHINERY CO.,LTD

TEL:0086 13738307138

Email: info@newstar-machine.com

技术参数 Main specifications

MODEL	FH-1080
SPEED	10-100M/min 或 12000PCS/h
MAX SIZE	W1080×L1200
MIN SIZE	W300×L270
WEIGHT	80-500g/m <sup>2</sup>
FEEDER HEIGHT	1200 mm
ELECTRICITY	15KW/每小时
POWER	65kw ( 380V AC3 φ 50HZ)
SIZE:	L 9308 × W 2100 × H 2920 mm



WENZHENZHOU FEIHUA PRINTING MACHINERY CO.,LTD

TEL:0086 13738307138

Email: [info@newstar-machine.com](mailto:info@newstar-machine.com)

---

## 性能特点    The functions and character

The wallboard of the whole machine adopts processing center for deep processing to ensure stable product quality, long service life and low noise. Parts and components are completed at one time using CNC lathes and machining centers to ensure product standardization, integration, and unified management of inspection and storage.

This machine is an intelligent vertical laminating equipment with a high degree of automation and high efficiency and energy saving (power consumption is about 15 degrees per hour). The machine is fully functional, adopts humanized design, adopts PLC centralized control, and automatically detects faults. And automatically make corresponding treatments, the drying system adopts a hot air circulation system, combined with an active follow-up drying and heating device, which improves the drying efficiency of acceleration and deceleration, and greatly improves the control performance of the whole machine. The operation with the man-machine interface is more intelligent and humane. It is composed of a high-speed paper feeder, a powder remover, a laminating and coating device, a finished product break and a paper take-up machine.



WENZHENZHOU FEIHUA PRINTING MACHINERY CO.,LTD

TEL:0086 13738307138

Email: info@newstar-machine.com

The main transmission of the whole machine adopts synchronous belt transmission, which makes the transmission stable and accurate, while ensuring accuracy, greatly improving the stability and service life of the machine. (First adopted among peers)

The whole machine has an electric energy meter for real-time monitoring of voltage, current, and power, and has statistics on the power consumption and output of each shift.

## 基本配置说明:

### Basic configuration instructions:

#### 1. High-speed paper feeder

-Maximum paper height: 1100mm;

-Equipped with vertical and horizontal positioning mechanism;

-Using servo technology, PLC control and centralized control of human-computer interaction system;





WENZHENZHOU FEIHUA PRINTING MACHINERY CO.,LTD

TEL:0086 13738307138

Email: [info@newstar-machine.com](mailto:info@newstar-machine.com)

---

**-The paper setting is controlled within  $\pm 2\text{mm}$ ;**

**-Oil-free vacuum pump;**

**-Paper pile detection mechanism, paper out detection mechanism and other series of sensor detection mechanism.**

## **2. Laminated host**

**-The whole machine adopts high-precision synchronous belt and part of imported chain transmission;**

-380mm composite heating roller, matching electromagnetic variable power heating system;

-320mm imported silicone pressure roller, with good temperature and pressure resistance and non-stick performance;

-800mm drying heat roller, made of industrial non-stick material Teflon coating;

-The drying system adopts a hot air circulation system, combined with an active follow-up drying and



WENZHENZHOU FEIHUA PRINTING MACHINERY CO.,LTD

TEL:0086 13738307138

Email: [info@newstar-machine.com](mailto:info@newstar-machine.com)

---

heating device;

3. Slitting system

-Adopt active follow-up shearing technology for slitting;

-Equipped with disc knife cut

-Using the whole machine centralized control system to realize precise pneumatic breaking

4. Automatic stacker

4.-Auxiliary suction and buffer system;

-Equipped with wave pressure device, matching pneumatic automatic paper making;

-Load automatic waste rejection device;

-Match the paper jam detection system to realize intelligent deceleration;

-(Optional) Servo intelligent plate change without manual care.+



WENZHENZHOU FEIHUA PRINTING MACHINERY CO.,LTD

TEL:0086 13738307138

Email: info@newstar-machine.com

## 1. 电器配置清单 electrical parts

1. Low-voltage circuit breaker: Schneider, France 7. AC contactor: Schneider, France

2. Intermediate relay: Schneider, France 8. Button: Schneider, France

3. Programmable controller: Inovance Technology 9. Touch screen: FLEXEM

4. Inverter: Inovance Technology 10. Pneumatic components: Airtac Taiwan

5. Rotary encoder: SICK, Germany 11. Photoelectric switch: Panasonic, Japan

6. Switching power supply: Taiwan Mingwei 12. Motor: China Dedong Transmission



WENZHENZHOU FEIHUA PRINTING MACHINERY CO.,LTD

TEL:0086 13738307138

Email: [info@newstar-machine.com](mailto:info@newstar-machine.com)

---

## 2. 配置中心 CONFIGURATION CENTER

高速送纸系统 HIGH SPEED AUTOMATIC PAPER FEEDING SYSTEM

优质高精度拉规 HIGH PRECISION LAYS



WENZHENZHOU FEIHUA PRINTING MACHINERY CO.,LTD

TEL:0086 13738307138

Email: info@newstar-machine.com



去粉机构 (选配) POWER CLEANING UNIT

电磁加热系统及红外温控系统 electromagenetic

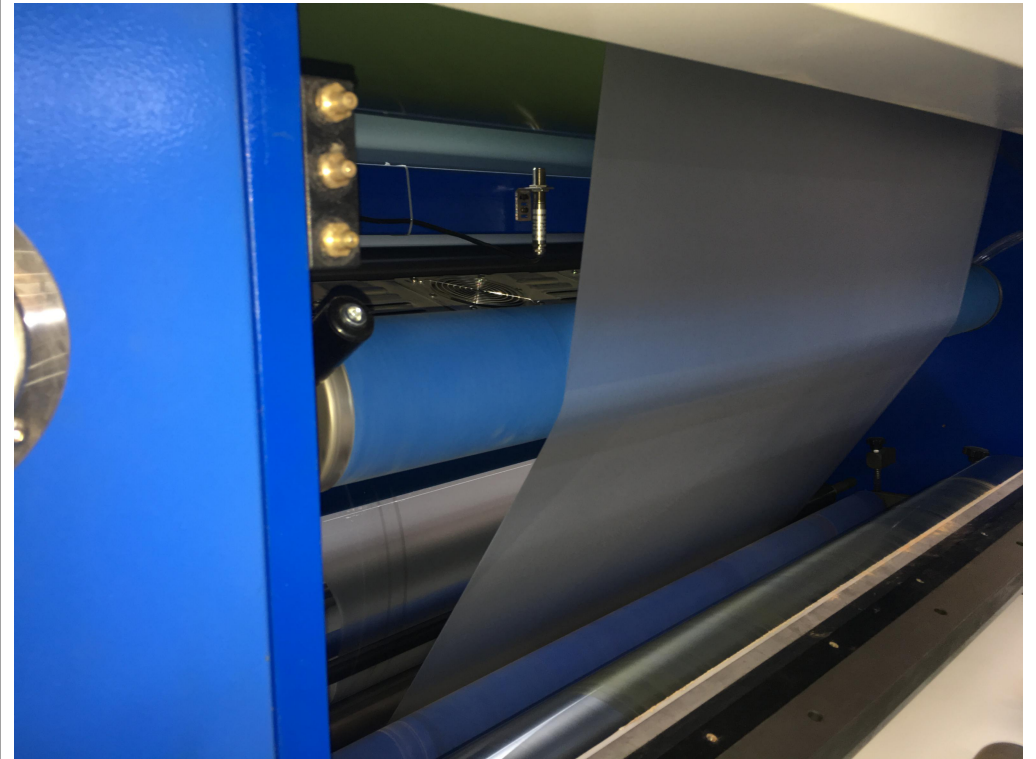


WENZHENZHOU FEIHUA PRINTING MACHINERY CO.,LTD

TEL:0086 13738307138

Email: info@newstar-machine.com

heating





WENZHENZHOU FEIHUA PRINTING MACHINERY CO.,LTD

TEL:0086 13738307138

Email: info@newstar-machine.com

贴合及涂布机构 laminating



圆盘飞刀机构 knife





WENZHENZHOU FEIHUA PRINTING MACHINERY CO.,LTD

TEL:0086 13738307138

Email: [info@newstar-machine.com](mailto:info@newstar-machine.com)

---

分切及压浪机构	收纸系统 COLLECTING SYSTEM
---------	------------------------

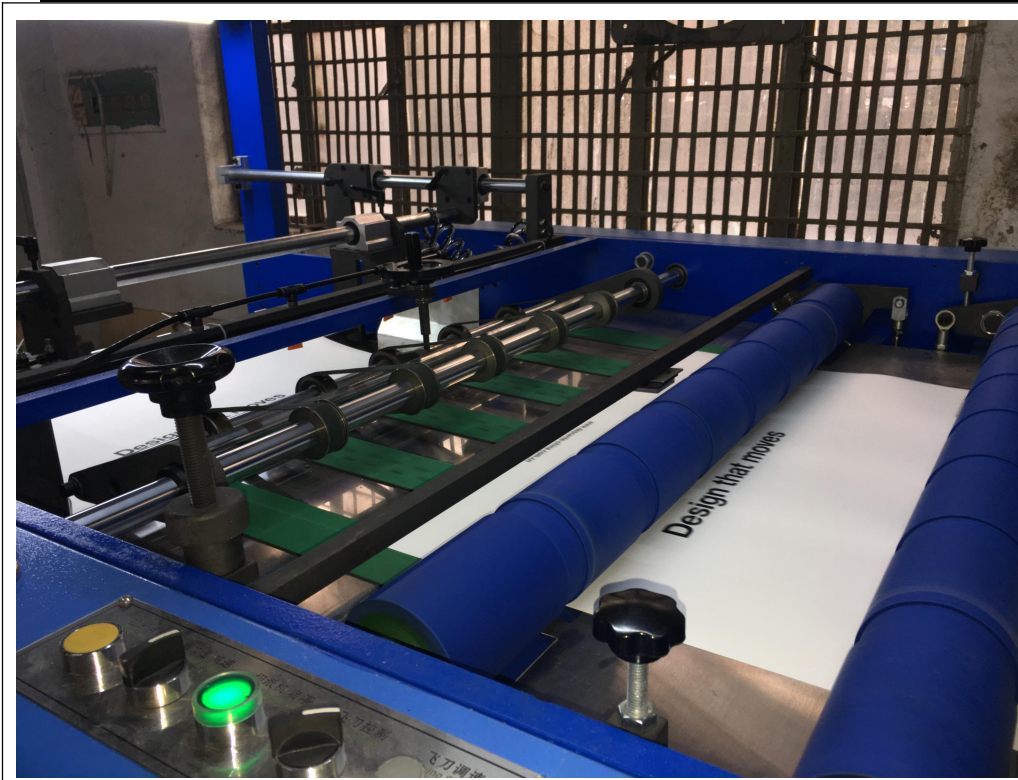




WENZHENZHOU FEIHUA PRINTING MACHINERY CO.,LTD

TEL:0086 13738307138

Email: [info@newstar-machine.com](mailto:info@newstar-machine.com)





WENZHENZHOU FEIHUA PRINTING MACHINERY CO.,LTD

TEL:0086 13738307138

Email: info@newstar-machine.com

飞达传动系统 Feeder transimission



主机传动系统 main motor

